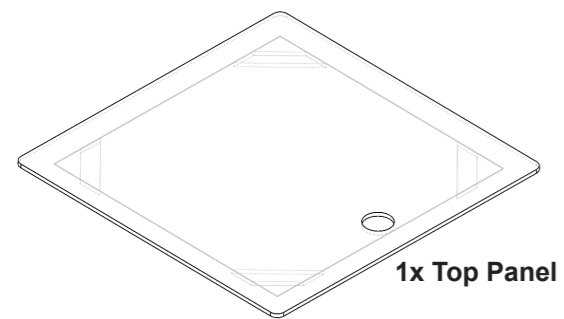




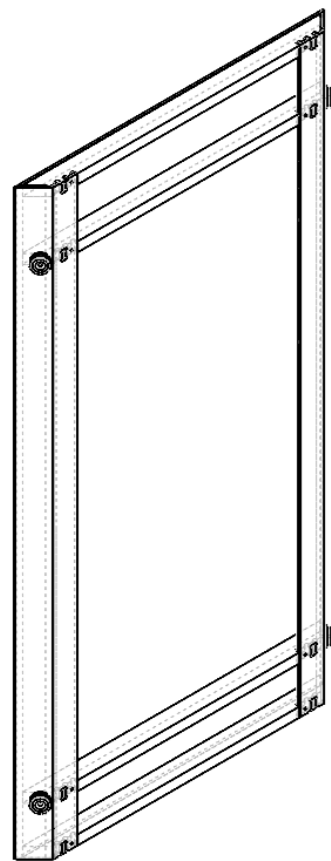
Giant Itab Flat Pack Plinth White

Instruction Manual

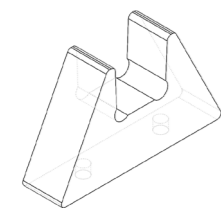
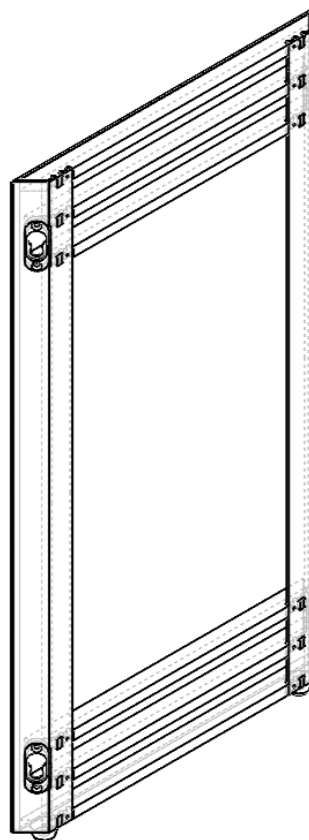
Contents



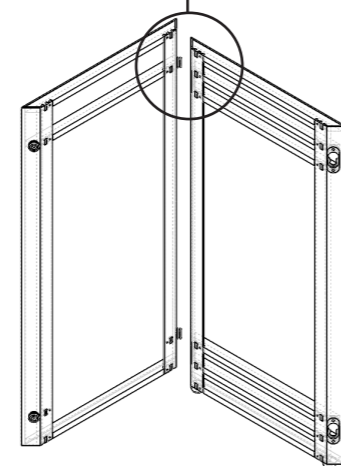
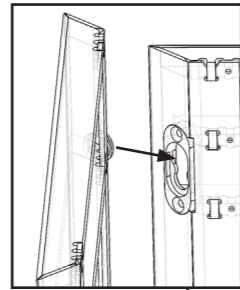
2x Side Panel



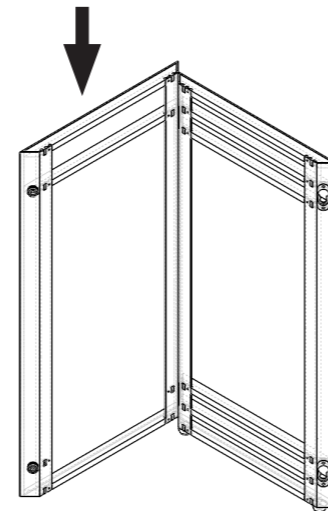
2x Front/Back



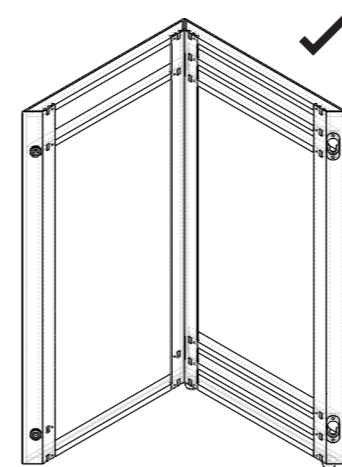
1x Chock



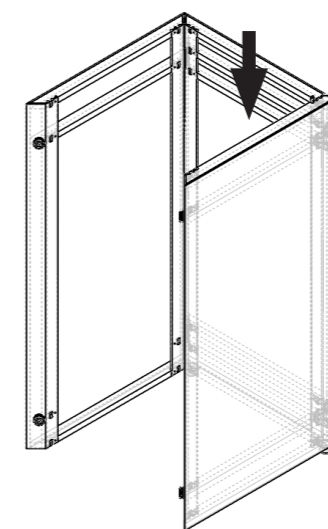
Step 1: Hold front panel upright with the rubber feet on the ground. Bring the side panel together and raise slightly to locate 2x yellow buttons into the top of the black keyhole sockets



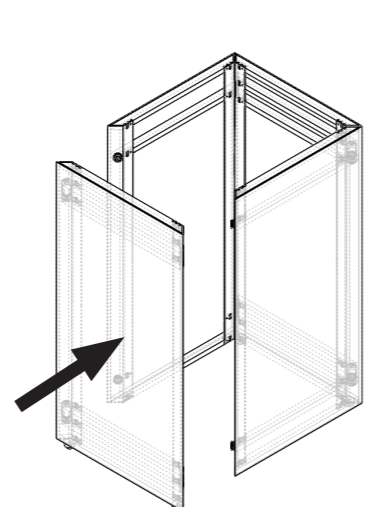
Step 2: Press down firmly on the top edge of the side panel to lock the buttons into the sockets



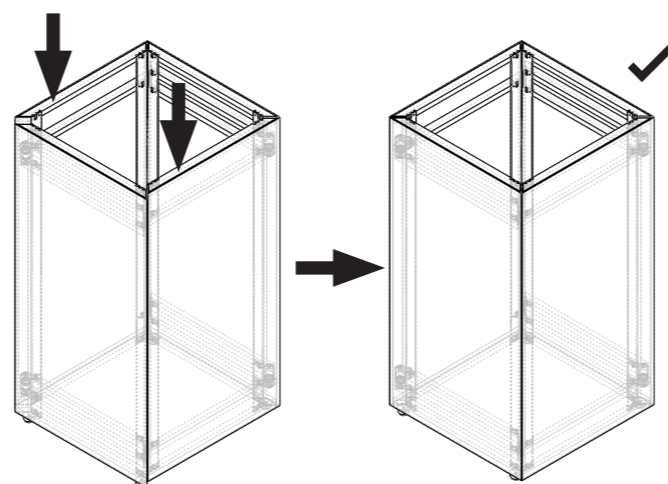
Step 3: Ensure the side panel is flush with the front panel.



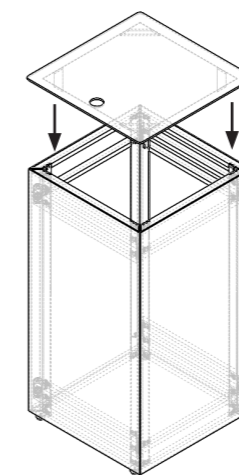
Step 4: Repeat with second side panel.



Step 5: Mate back panel to the two side panels ensuring yellow buttons are inserted up into black keyholes.

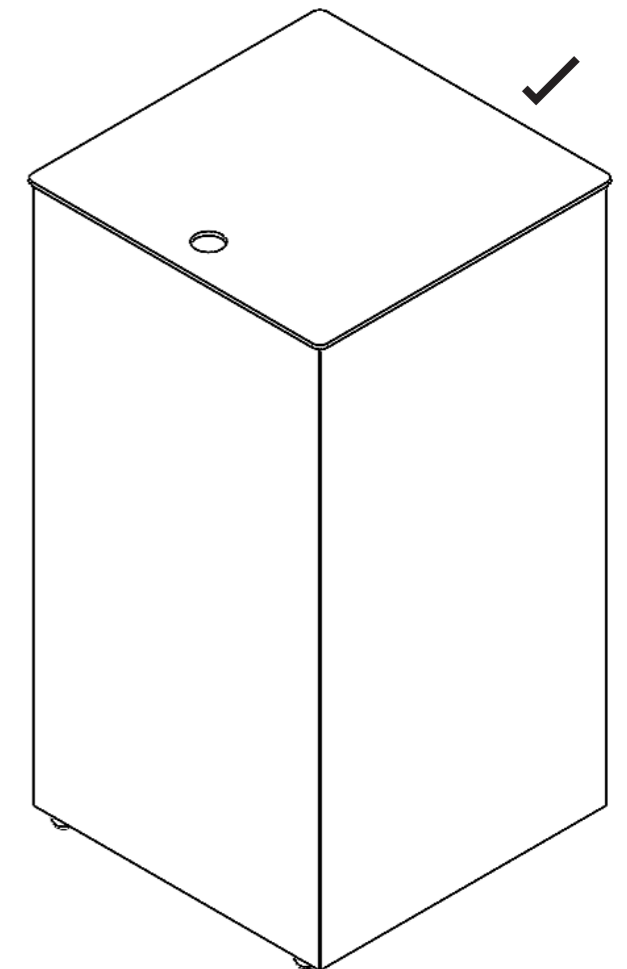


Step 6: Push two side panels down applying even pressure to each side.

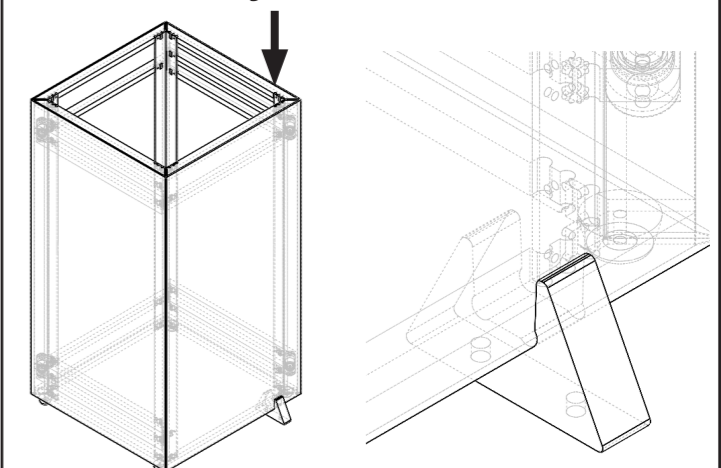


Step 7: Place top panel onto assembled plinth, ensuring locator blocks fit inside each corner.

Completed Product



Dissassembly



To Dissassemble place supplied chock under each side panel and push down on the front & back panel.