

# 55" Outdoor PCAP Wall-Mounted Touch Screen Displays



## PCAP Touch Screen












State-of-the-art projected capacitive technology provides the most responsive and sensitive touch experience available, as well as offering superior optical quality. Unlike other touch technologies, PCAP is not affected by dust or debris on the surface of the screen.



## Full Array Local Dimming Panel

Local Dimming delivers unparalleled image quality by dynamically adjusting brightness across the entire screen. Experience stunning contrast, deeper blacks, and vibrant highlights while dramatically reducing power consumption and heat output—enhancing both efficiency and panel longevity for uncompromising outdoor performance.



-  4K Resolution
-  Sunlight Readable
-  Vandal Proof
-  No Ghost Touch
-  Advanced Temperature Control System
-  Ambient Light Sensor
-  Anti-Reflective Glass
-  Free Lockable Wall Mount
-  Protective UV Film
-  Android Media Player
-  Customisation Available

## Other Features

### Weatherproof

Designed to withstand the elements, these displays are protected against all wet weather conditions and airborne dust particles by their robust IP65 rated enclosure. They also feature a waterproof coating on all internal circuit boards and waterproof over-moulded AV connectors.

# IP65

Dust Resistance

6

Protected against dust that may harm equipment.

Water Resistance

5

Protected against water spray from all directions.



### Direct Sunlight Readable

Thanks to their commercial grade ultra-high brightness panels (2,500cd/m<sup>2</sup>), these displays are up to 10 times brighter than a domestic TV and so are easily readable even in direct sunlight.



### Vandal Proof

With a mild steel enclosure and thermally-toughened glass front, these IK10 rated displays are designed to withstand any damage that may occur in public spaces. To avoid tampering, controls and inputs are hidden and cannot be accessed by passers-by.

# IK10



Impact Resistance

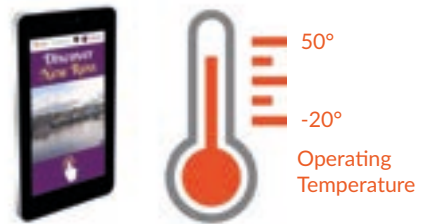
10

Protected against 20 joules of impact



### Advanced Temperature Control System

To maximise the lifespan of the display, the internal airflow system keeps the screen running at the optimal temperature regardless of the external conditions. Built-in air conditioning can be tailored to allow the display to work in any climate.



### No Ghost Touch

The electrodes that control the interactivity are sandwiched between two layers of special protective glass to prevent phantom touches. This ensures ultimate accuracy and a seamless touch experience.



### Anti Reflective, UV-Protected Glass

The specially treated front glass diffuses direct sunlight for optimal visibility in bright conditions while an advanced UV coating reduces internal heat by up to 71%. This minimizes cooling requirements, enhances efficiency, and extends the display's lifespan.



### Internal Locker

Should you need run the screen from an external source, there is space to fit a small PC or media player inside the lockable compartment. This can then be connected to the display via the HDMI, VGA or 3.5mm audio inputs.



### Customisation Available

Bespoke displays can be manufactured to order should you require a non-standard solution, to incorporate a camera for example. We can also modify existing models to add a 4G module for mobile connectivity or a vinyl logo/wrap.



# Key Features



PCAP TOUCH SCREEN



2,500 CD/M<sup>2</sup>  
SUNLIGHT READABLE



IP65 RATED



VANDAL PROOF HIGH GAIN  
WI-FI AERIAL



PROTECTIVE UV FILM



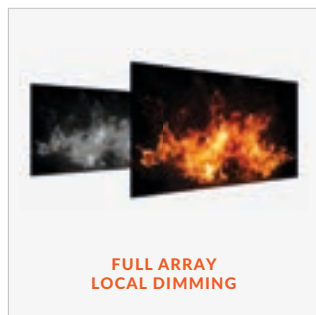
10 TOUCH POINTS



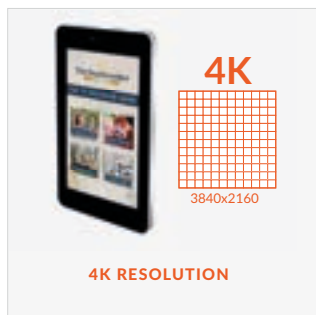
24/7 USAGE



ENHANCED INDUSTRIAL-GRADE PAINT



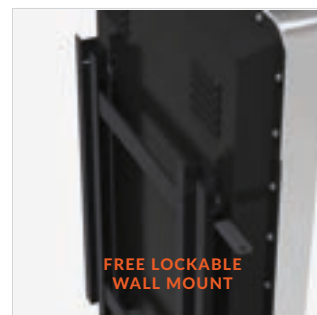
FULL ARRAY  
LOCAL DIMMING



4K  
3840x2160



INTERNAL LOCKER



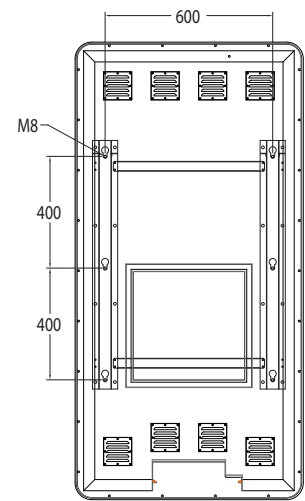
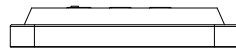
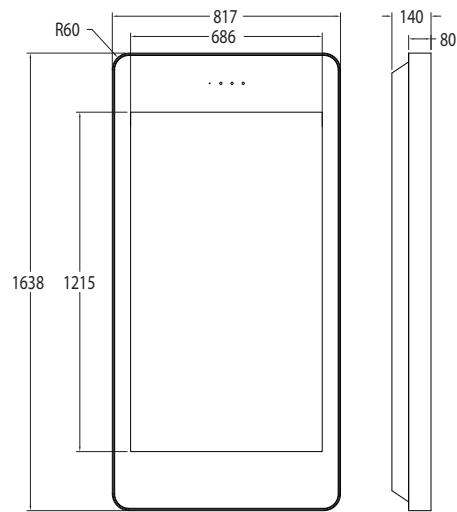
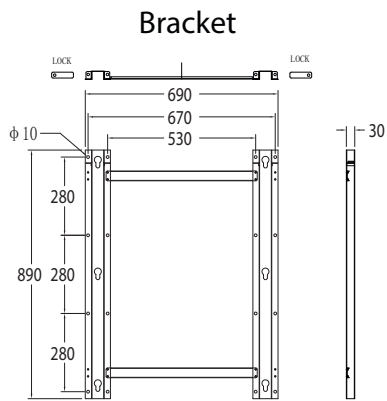
FREE LOCKABLE  
WALL MOUNT

## Specification Table

|               |                                 | 55 Inch   |
|---------------|---------------------------------|---|
| Panel         | Resolution (px)                 | 3840x2160   |
|               | Display Area (mm)               | 1215x686  |
|               | Aspect Ratio                    | 16:9  |
|               | Brightness (cd/m <sup>2</sup> ) | 2,500   |
|               | Colour                          | 1.07 B  |
|               | Viewing Angle                   | 178°  |
|               | Contrast Ratio                  | 1200:1  |
|               | Dynamic Contrast Ratio          | 100,000:1   |
| Touch         | Touch Technology                | Projected Capacitive  |
|               | Touch Points                    | 10  |
|               | Glass Hardness                  | 4H Minimum  |
| AV Inputs     | Video                           | HDMI x 2  |
| Power         | Average Power Consumption (W)   | 450   |
|               | Input Voltage                   | AC110~240V (50Hz~60Hz)  |
| Mechanical    | Unit Size (HxWxD mm)            | 1638x817x140  |
|               | Package Size (HxWxD mm)         | 1780x1050x300   |
|               | Landscape VESA Holes (mm)       | 800x600   |
|               | Portrait VESA Holes (mm)        | 600x800   |
|               | Net Weight (kg)                 | 95  |
|               | Gross Weight (kg)               | 115.5   |
|               | IK Rating                       | IK10  |
| Environmental | Operating Temperature:          | -20 °C to 50 °C   |
|               | Operating Humidity:             | 10% - 80%   |
|               | Storage Temperature:            | -30°C - 60°C  |
|               | Storage Humidity:               | 5% - 90%  |
|               | Enclosure Protection            | IP65  |
| Computer      | Media Formats                   | Video (MPG, AVI, MP4, RM, RMVB, TS), Audio (MP3, WMA), Image (JPG, GIF, BMP, PNG) |
|               | Media Resolution                | 3840x2160/2160x3840   |
|               | Internal Storage                | 32GB  |
|               | CPU                             | Rockchip RK3399 @1.8GHz   |
|               | GPU                             | Mali-T860 MP4 @600MHz   |
|               | RAM                             | 4GB DDR3  |
|               | USB                             | USB2.0 HOST (x2), USB3.0 HOST (x2)  |
|               | LAN                             | 10/100Mb/s Ethernet   |
|               | Wi-Fi                           | 802.11b/g/n/ac  |
|               | OS                              | Android 10  |
| Accessories   | Graphic Engine                  | OpenGL ES 1.1/2.0/3.0/3.1, OpenCL 1.1, Renderscript, Direct3D 11.1                |
|               | Included                        | AC Power Cable, Remote Control, Wall Mount  |
| Warranty      | Optional                        | Touch Screen Upgrade, Network Upgrade, Camera                                     |
|               | Warranty Period                 | 3 Year Warranty   |
|               | Technical Support               | Lifetime  |

Errors and omissions excepted



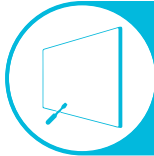


# Why Choose Our Commercial Display Solutions?



## Lifetime Technical Support

From the moment you receive your product, throughout the duration of your warranty and even after your warranty has expired we are here to support you. If you require any assistance setting up or using your product, or have any problems at all, we can provide free technical support via telephone and email.



## On-site Support and Maintenance\*

If needed, we can provide an installation service for any of our products. We can also set up service-level agreements for larger projects that require maintenance contracts.



## Extended Warranty\*

All of our commercial display products come with a 3 year commercial warranty as standard but if you want to extend this you can upgrade this to cover a 5 year period at point of purchase.



## Training

As well as providing free remote CMS training sessions and webinars we can also visit you to deliver bespoke training for our software and hardware\*.



## Advanced Replacements†

Should your display suffer from any kind of hardware failure during the warranty period we will send you an advanced replacement and arrange for your old display to be collected, free of charge. This ensures no downtime where you are without a screen.



## Custom Product Testing & Configuration

If you need us to test third party software or a website, or configure your screen in a particular way before it is dispatched (e.g. in a particular orientation or network mode), we can do so to make your life easier.



## 3D Rendering

Want to know how a particular screen will look once installed? Send us a photo of the location and we will create a 3D rendering of any screen in situ to help you to visualise how amazing it will look.



## Logistics Support

We hold more stock in our UK warehouse than any other manufacturer so we can help you meet tight deadlines. For last minute orders we can also offer special express or morning delivery options\*. We also carry out UK based quality control checks on every display before it leaves our warehouse.



## Project Support

If you need to loan a sample unit to test we'd be more than happy to arrange this. We can also provide a rental service for temporary projects\*.



## Customisation\*

Your display can be customised to suit your requirements by adding your logo or printed graphics or even tailoring the colour of a display. We can also carry out hardware modifications to existing products or manufacture bespoke solutions for special projects.



## Extras\*

As well as being able to provide accessories and add-ons, such as extra remote controls, NUC PCs and video wall controllers, we can also supply custom made flight cases which are great if a display needs to be moved safely from place to place.

†UK mainland only

\*These particular services may incur additional charges